

Functional characteristics

Width of PCB:	100 mm - 107.5 mm (3.937 in - 4.232 in)
Support Type:	extruded
Standard Colour:	green
Thickness of PCB:	1.6 ÷ 2.8 mm (.063 ÷ .110 in)
Material:	PA6.6 and PVC (UL94-V0)

Description	Part-Number	Pcs/pack			
1 Central Body	STC107S _____	50	11 High Lateral Element Without Rail Hook	STC107T073 _____	100
	STC1072000 _____	10	12 Protection Cover	STC107C _____	50
	STC107L _____	100		STC107D _____	50
2 Left Lateral Element with Rail Hook	STC107TSX0 _____	50	13 Screw for Head Fastening (L= 15 mm)	STC000V015 _____	100
3 Right Lateral Element with Rail Hook	STC107TDX0 _____	50	13 Screw for Head Fastening (L= 25 mm)	STC000V025 _____	100
4 Head Without Rail Hook	STC107T000 _____	100	14 Screw for Cover Fastening (L= 15 mm)	STC000VC15 _____	100
5 DIN Rail Hook	STC107P011 _____	100	15 Bracket for Mounting on the Wall	STC000F000 _____	100
6 Left High Lateral Element with Rail Hook	STC107TS60 _____	25	16 Size of STD Adapter for 3.937 in (100 mm) PCB	STC107A039 _____	50
7 Left High Lateral Element with Rail Hook	STC107TS73 _____	25			
8 Right High Lateral Element with Rail Hook	STC107TD60 _____	25			
9 Right High Lateral Element with Rail Hook	STC107TD73 _____	25			
10 High Lateral Element Without Rail Hook	STC107T060 _____	100			

1

Custom Sized Cut Profile

For a Custom Sized Cut Profile, the length of the Central Body must be equal to the length of the PCB minus 3.5 mm (.138 inch). It's advised to round off the figure to the higher whole number. The length of the support, including the Lateral Elements, is equal to the length of the Profile plus 6 mm (.236 inch).

Example

For PCB		Cut Profile sizes L		Support Length		Part-Number	Pcs / pack
(mm)	(in)	(mm)	(in)	(mm)	(in)		
38.50	1.516	35,00	1.378	41.00	1.614	STC107S035	50
55.00	2.165	51,50	2.028	57.50	2.264	STC107S051	50
73.50	2.894	70,00	2.756	76.00	2.992	STC107S070	50
-----	-----	Profile for PCB with L = 2 m (78.740 in)		-----	-----	STC1072000	10
L + 3.5	L +.137	Custom		L + 6	L +.236	STC107L ____	100

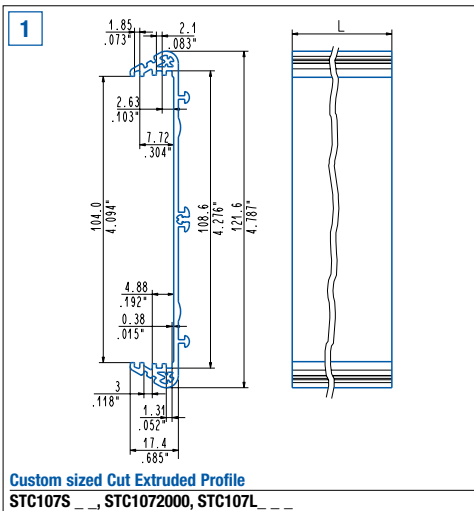
12

Custom sized Protection Cover

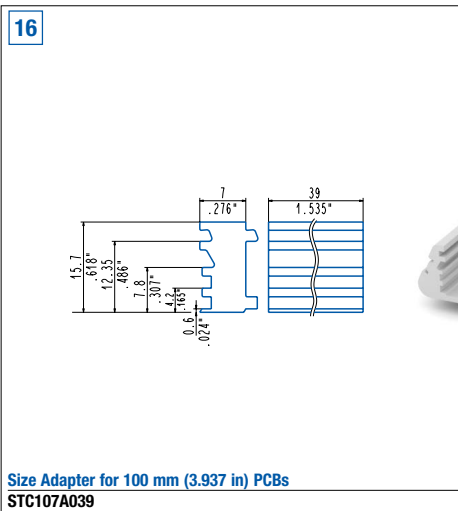
For Custom sized Protection Cover, length of the piece must be equal to the corresponding length of the Profile, that is the length of the PCB minus 3.5 mm (.137 in). It's advised to round off the figure to the higher whole number. The Length of the Support, including the Lateral Elements, is equal to the Length of the Profile plus 6 mm (.236 in).

Example

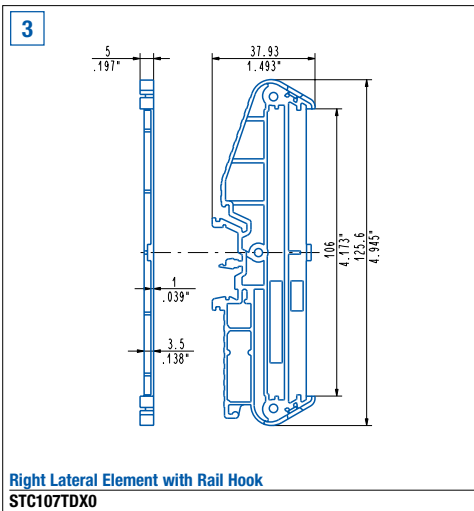
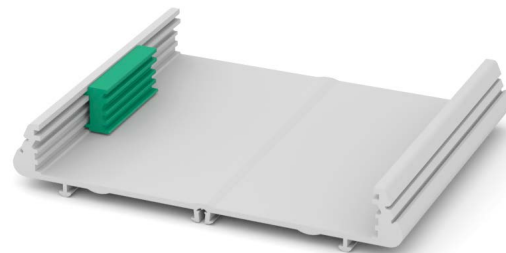
L		Part-Number	Pcs / pack	For PCB		Support Length	
				(mm)	(in)	(mm)	(in)
Custom size	for 60 mm (2.362 in) Protection Cover	STC107C _____	50	L + 3.5	L +.137	L + 6	L +.236
70 mm (2.756 in)	for 60 mm (2.362 in) Protection Cover	STC107C070	50	73.5	2.893	76	2.992
Custom size	for 73 mm (2.874 in) Protection Cover	STC107D _____	50	L + 3.5	L +.137	L + 6	L +.236
70 mm (2.756 in)	for 73 mm (2.874 in) Protection Cover	STC107D070	50	73.5	2.893	75	2.992



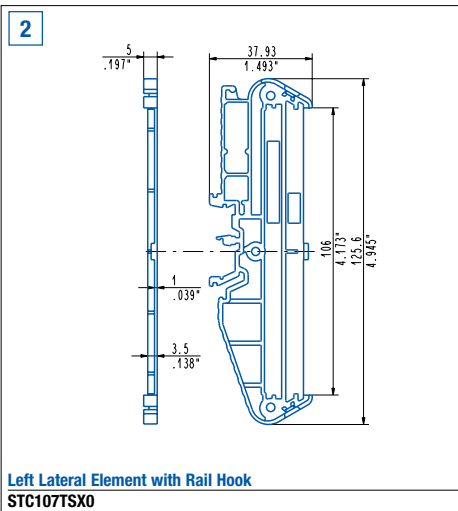
Custom sized Cut Extruded Profile
STC107S __, STC1072000, STC107L __



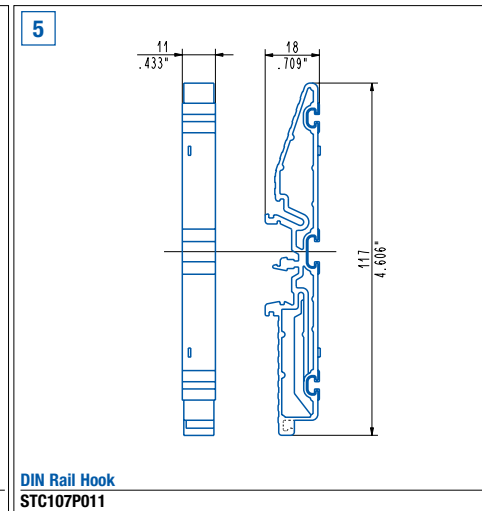
Size Adapter for 100 mm (3.937 in) PCBs
STC107A039



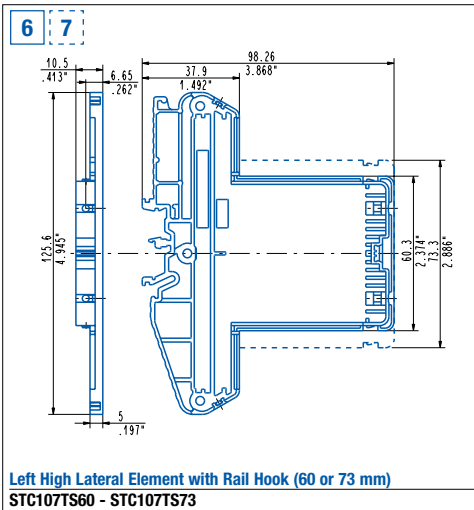
Right Lateral Element with Rail Hook
STC107DX0



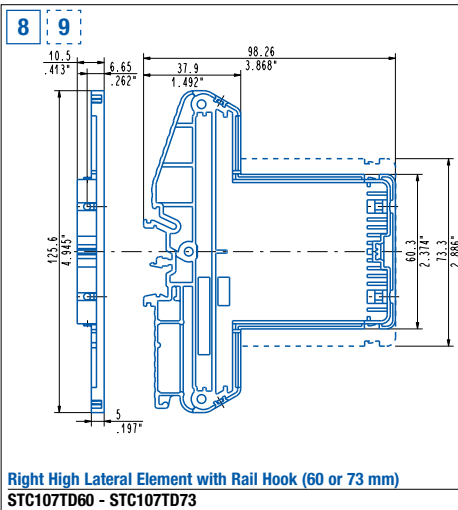
Left Lateral Element with Rail Hook
STC107TSX0



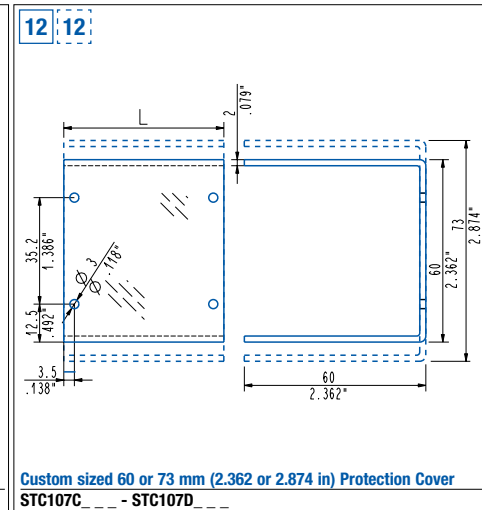
DIN Rail Hook
STC107P011



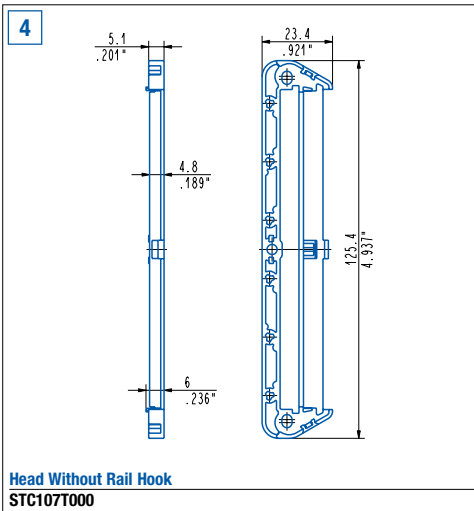
Left High Lateral Element with Rail Hook (60 or 73 mm)
STC107TS60 - STC107TS73



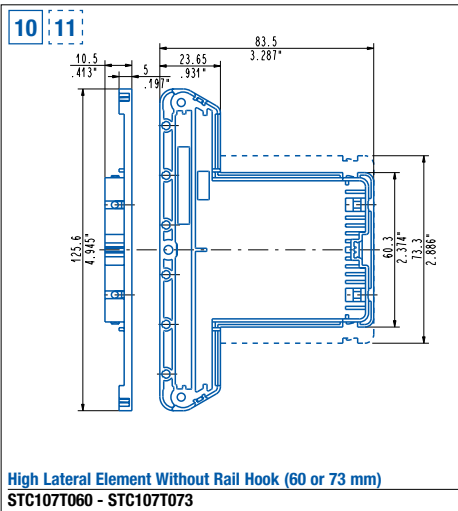
Right High Lateral Element with Rail Hook (60 or 73 mm)
STC107TD60 - STC107TD73



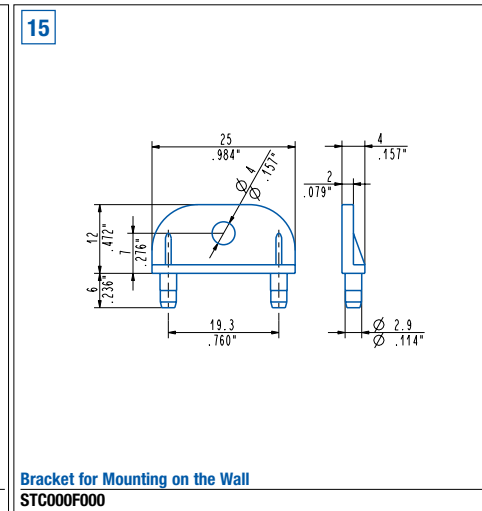
Custom sized 60 or 73 mm (2.362 or 2.874 in) Protection Cover
STC107C __ - STC107D __



Head Without Rail Hook
STC107T000



High Lateral Element Without Rail Hook (60 or 73 mm)
STC107T060 - STC107T073



Bracket for Mounting on the Wall
STC000F000