

General data

Dimensional class:	low
Standard colour:	green
Pitches:	metric 5 mm, 10 mm (.197 in, .394 in)
Screw dimension:	M3
Recommended/highest tightening torque:	0.5/0.6 Nm (4.42/5.30 lbf-in)
Stripping length:	4 ÷ 6 mm (.16 ÷ .24 in)
Operating temperature range:	-40 °C ÷ +105 °C (-40 °F ÷ +221 °F)
Contact resistance:	<15 mΩ
Insulating material group:	I (CTI ≥ 600V)
Self-extinguishing class UL94:	V0
Insulation resistance:	>10 ⁹ Ω (500V DC)

Certifications

UL (n. E167473)

300 V - 10 A - 30÷14 AWG - for 5 mm pitch (12 A for "0" version)
 600 V - 10 A - 30÷14 AWG - for 10 mm pitch (12 A for "0" version)

VDE (n. 40013401)

250 V - 10 A - 1.5 mm² - (12 A - for "1" version) for 5 mm pitch
 750 V - 10 A - 1.5 mm² - (12 A - for "1" version) for 10 mm pitch

IMQ (n. EE099)

300 V - 11 A - 2.5 mm² - for 5 mm pitch
 1000 V - 11 A - 2.5 mm² - for 10 mm pitch

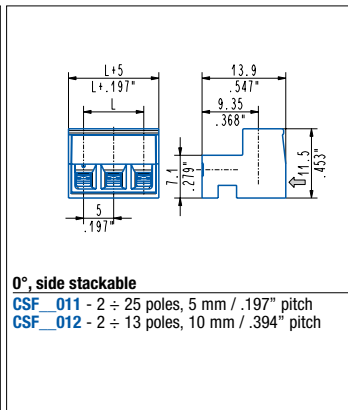
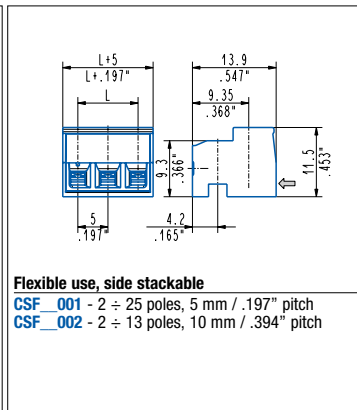
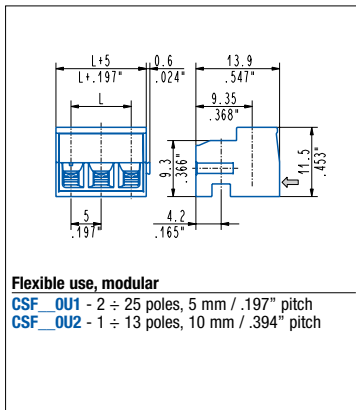
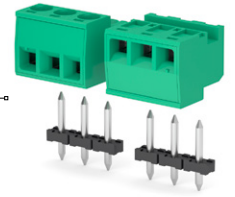
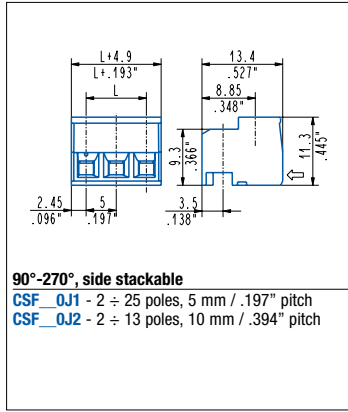
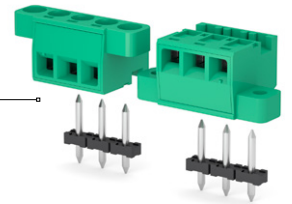
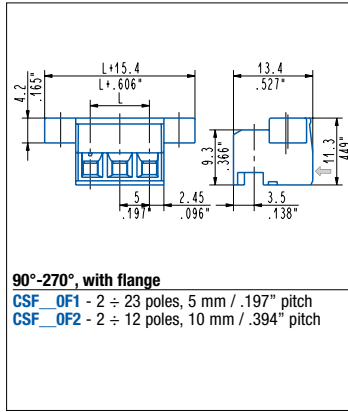
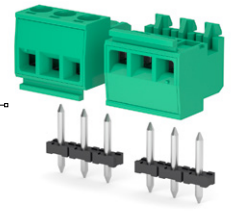
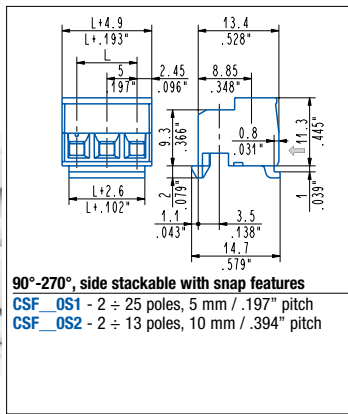
CSA: (n. LR102896)

300 V - 12 A - 30÷14 AWG for 5 mm pitch
 600 V - 12 A - 30÷14 AWG for 10 mm pitch

Application values for end-use equipment have to be in accordance to norms and applicable to it. The certifications of some product's versions could be pending, for more detailed and updated data please refer to our web site www.sauro.net or your representative Sales Manager.

A higher number of poles is obtained by combining together **modular** parts.

Please see "CONNECTORS COMBINATIONS"



Usable with:

CSM

Page 52

CSMH

Page 52

CSMD

Page 53

