

Last release

General data

Dimensional class:	low
Standard colour:	green
Pitches:	metric 3.5 mm, 7 mm (.138 in, .276 in)
Stripping length:	10 mm (.394 in)
Operating temperature range:	-40 °C ÷ +105 °C (-40 °F ÷ +221 °F)
Contact resistance:	<15 mΩ
Insulating material group:	I (CTI ≥ 600V)
Self-extinguishing class UL94:	V0
Insulation resistance:	>10 ⁹ Ω (500V DC)

Data according to

UL 1059

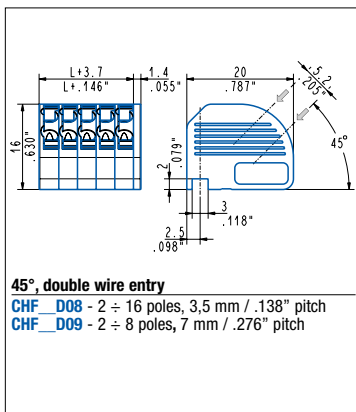
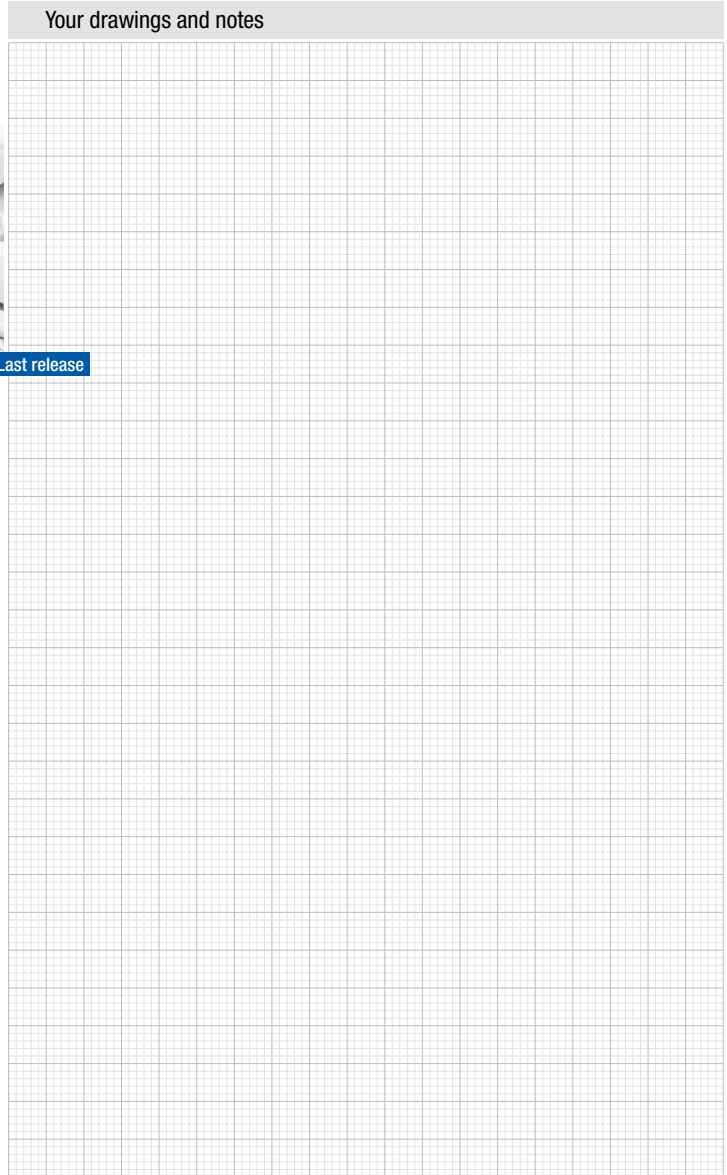
150 V - 8 A - 24÷16 AWG for 3.5 mm pitch
 300 V - 8 A - 24÷16 AWG for 7 mm pitch

IEC EN 61984

150 V - 8 A - 1.5 mm² for 3.5 mm pitch
 300 V - 8 A - 1.5 mm² for 7 mm pitch

Application values for end-use equipment have to be in accordance to norms and applicable to it. The certifications of some product's versions could be pending, for more detailed and updated data please refer to our web site www.sauro.net or your representative Sales Manager.

Please see "CONNECTORS COMBINATIONS"



Usable with:

CLMH_S

Page 57

