

Last release

Your drawings and notes



**Functional characteristics**

**Dimensional class:** low  
**Standard colour:** green  
**Pitches:** metric 3.5 mm, 7 mm (.138 in, .276 in)  
 imperial 3.81 mm, 7.62 mm (.150 in, .300 in)  
**Stripping length:** 10.5 ÷ 11.5 mm (.41 ÷ .45 in)  
**Operating temperature range:** -40 °C ÷ +105 °C (-40 °F ÷ +221 °F)  
**Contact resistance:** <15 mΩ  
**Insulating material group:** I (CTI ≥ 600V)  
**Self-extinguishing class UL94:** V0  
**Insulation resistance:** >10<sup>9</sup> Ω (500V DC)

**Certifications**

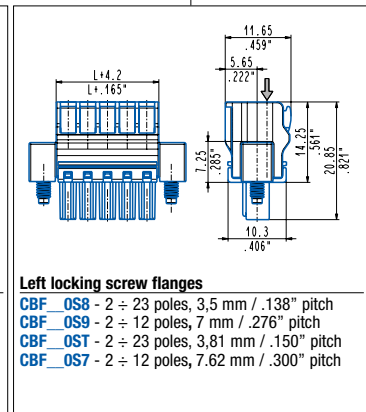
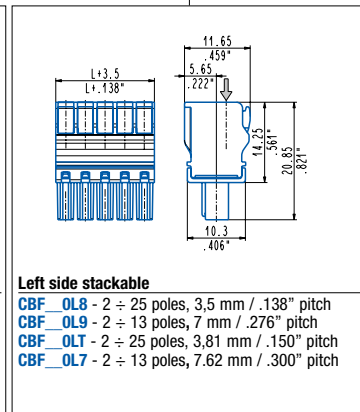
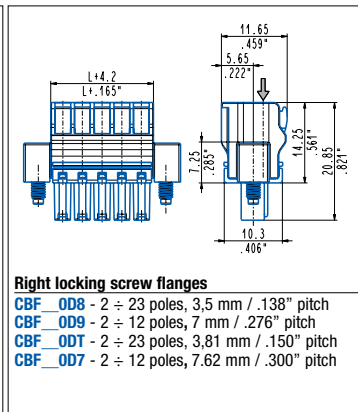
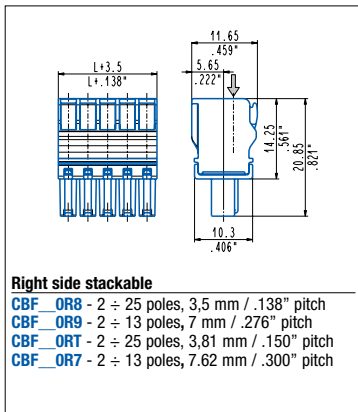
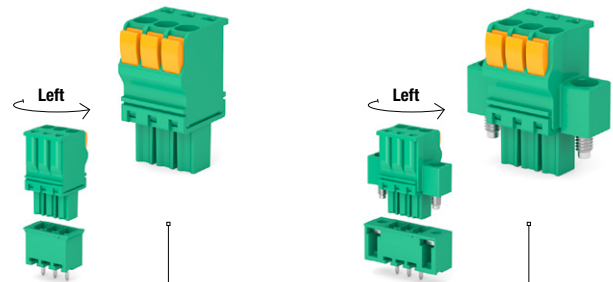
**UL (n. E167473)**  
 300 V - 11 A - 30÷14 AWG stranded (9 A - 30÷14 AWG solid)

**Data according to**

**IEC EN 61984**  
 150 V - 8 A - 1.5 mm<sup>2</sup> - for 3.5 mm and 3.81 mm pitch  
 300 V - 8 A - 1.5 mm<sup>2</sup> - for 7 mm and 7.62 mm pitch

Application values for end-use equipment have to be in accordance to norms and applicable to it. The certifications of some product's versions could be pending, for more detailed and updated data please refer to our web site [www.sauro.net](http://www.sauro.net) or your representative Sales Manager.

Please see "CONNECTORS COMBINATIONS"



Usable with:

**CTM**  
Page 62

**CTMH**  
Page 63

**CTM/CTMH D.**  
Page 65

**CKF-SC1**  
Page 84

